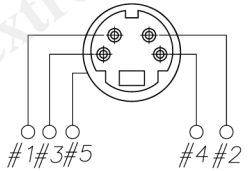
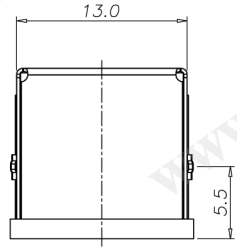


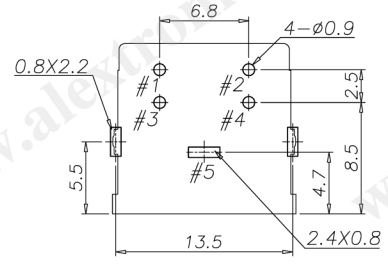
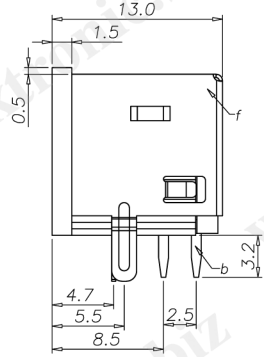
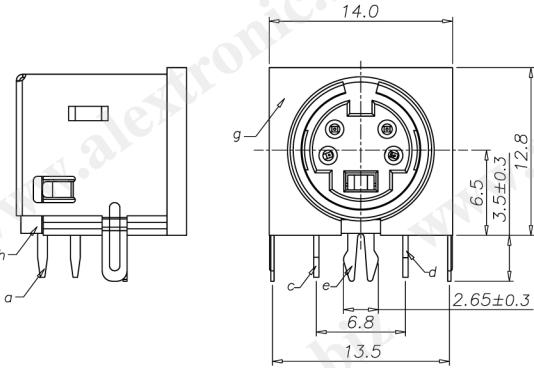
CATEGORY	DESCRIPTION	P/N #
CONNECTOR	Mini Din 4PIN, R/A	MDO11R-11170-0040

REV.	ECN NO	DESCRIPTION	REVISED	DATE
R01		New Release	GMC	2009.07.31



Schematic

MINIDIN SPECIFICATION:
 1.Voltage and Current Rating: DC12V & 1.0A
 2.Contact resistance
 2.1 Initial, before life cycle test:
 2.1.1 Pin to Contact: 30mΩ Max.
 2.1.2 Plug Shield to Contactor: 50mΩ Max.
 2.2 After life cycle test:
 2.2.1 Pin to Contact: 60mΩ Max.
 2.2.2 Plug Shield to Contactor: 100mΩ Max.
 3.Insulation resistance between any adjacent open contacts: 50MΩ @ DC250V Min.
 4.Dielectric Strength: A potential of AC250V RMS, 50/60Hz shall be applied, between any open contacts for one minute without broken.
 5.Insertion force: 4.5Kgf Max.
 6.Withdraw force: 0.3Kgf Min.
 7.Single Contact Maintenance Force: 20gf Min. between each contact and matching pin (0.57~0.60 Dia.)
 8.Life Cycle Test: Shall be subject to 1,500 cycles at 10~20 cycles per minute with no electrical load.



Recommend PCB Layout
 (Top View)
 Tolerance: ±0.05mm
 Recommend PCB Thickness: 1.6mm

h	Cover	1	PBT UL94V-0	Black	
g	Housing	1	PBT UL94V-0	Black	
f	Shielding	1	Brass, T=0.25mm	CuSn Plating	
e	Clip Ring	1	Brass, T=0.3mm	CuSn Plating	
d	Terminal #4	1	Phosor Bronze, T=0.4mm	Ag Plating	
c	Terminal #3	1	Phosor Bronze, T=0.4mm	Ag Plating	
b	Terminal #2	1	Phosor Bronze, T=0.4mm	Ag Plating	
a	Terminal #1	1	Phosor Bronze, T=0.4mm	Ag Plating	
NO	DESCRIPTION	QTY	MATERIAL	PLATING & COLOR	Remark
		4			

Product Drawing ALEXTRONIC				
UNLESS OTHERWISE SPECIFIED TOLERANCES		SCALE: 2/1	UNIT: mm	DWG. NO: WI-061-592
		SIZE: A3	PAGE: 1 OF 1	REV: R01
DECIMALS: X : ±0.5 X.X : ±0.3 X.XX : ±0.2	ANGLES: X : ±2° X.X : ±1°	APPROVED BY WYX	CHECKED BY PJ	PREPARED BY GMC
CUSTOMER COPY				